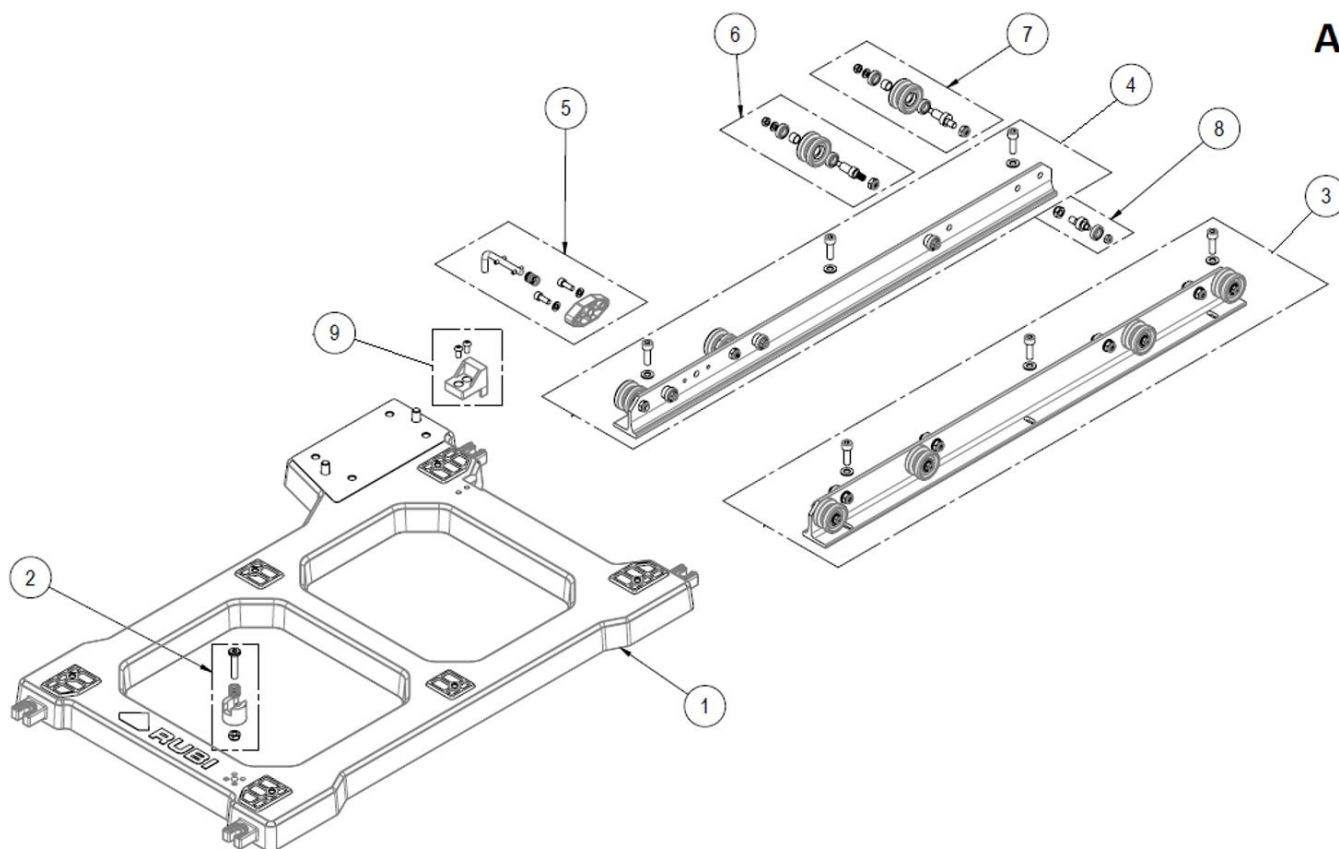
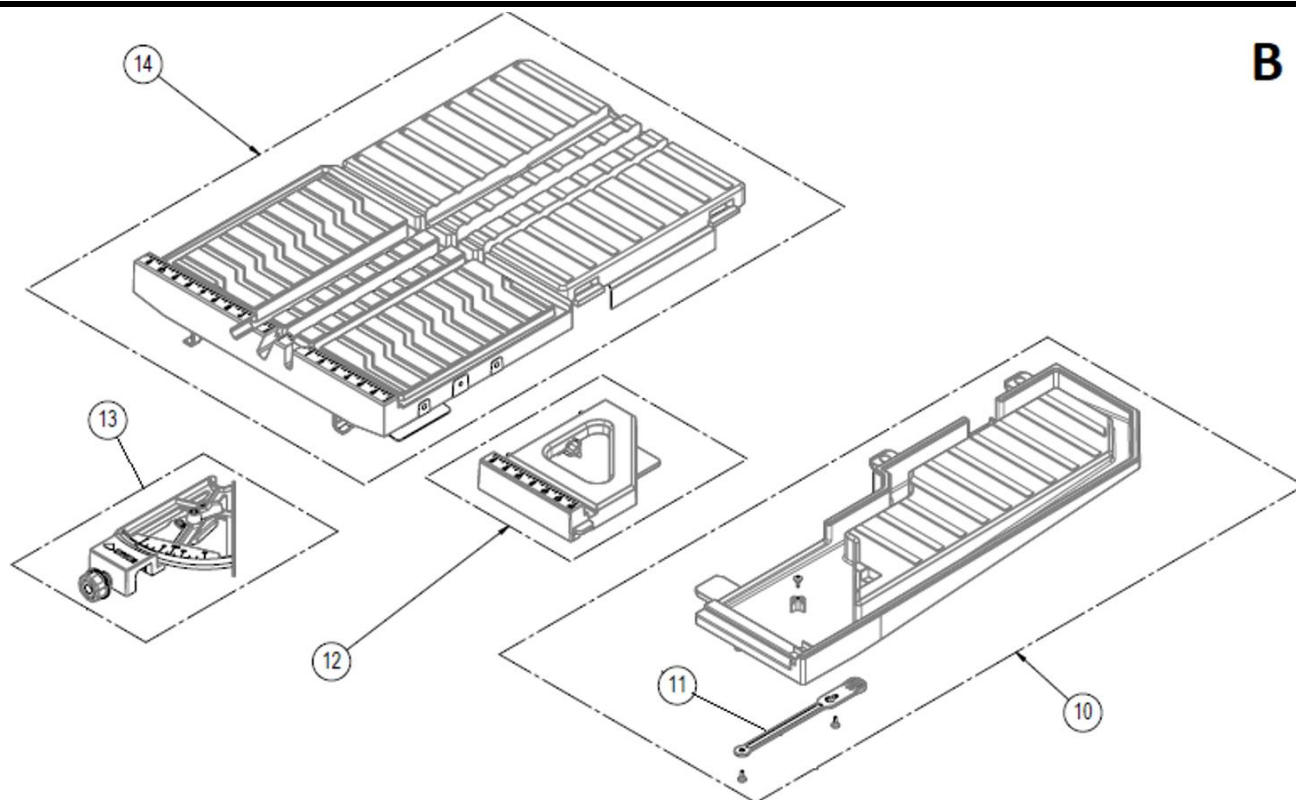


Part-list	ES	EN	Prod.
	GRUPO A	GROUP A	Pag. 2
888 88	GRUPO B	GROUP B	Pag. 3
	GRUPO C	GROUP C	Pag. 4
888 88	GRUPO D1	GROUP D1	Pag. 5
	GRUPO D2	GROUP D2	Pag. 6
888 88	GRUPO E	GROUP E	Pag. 7
	GRUPO F	GROUP F	Pag. 8
Prod	ES	EN	From serial num:
58915	DT-250 MAX 220/240V 50/60HZ UK	DT-250 MAX 220/240V 50/60HZ UK	
58913	DT-250 MAX 110/130V 50/60HZ UK	DT-250 MAX 110/130V 50/60HZ UK	
58909	DT-250 MAX 220/240V 50/60HZ	DT-250 MAX 220/240V 50/60HZ	
26994	DT-10IN MAX 120V 60HZ USA	DT-10IN MAX 120V 60HZ USA	

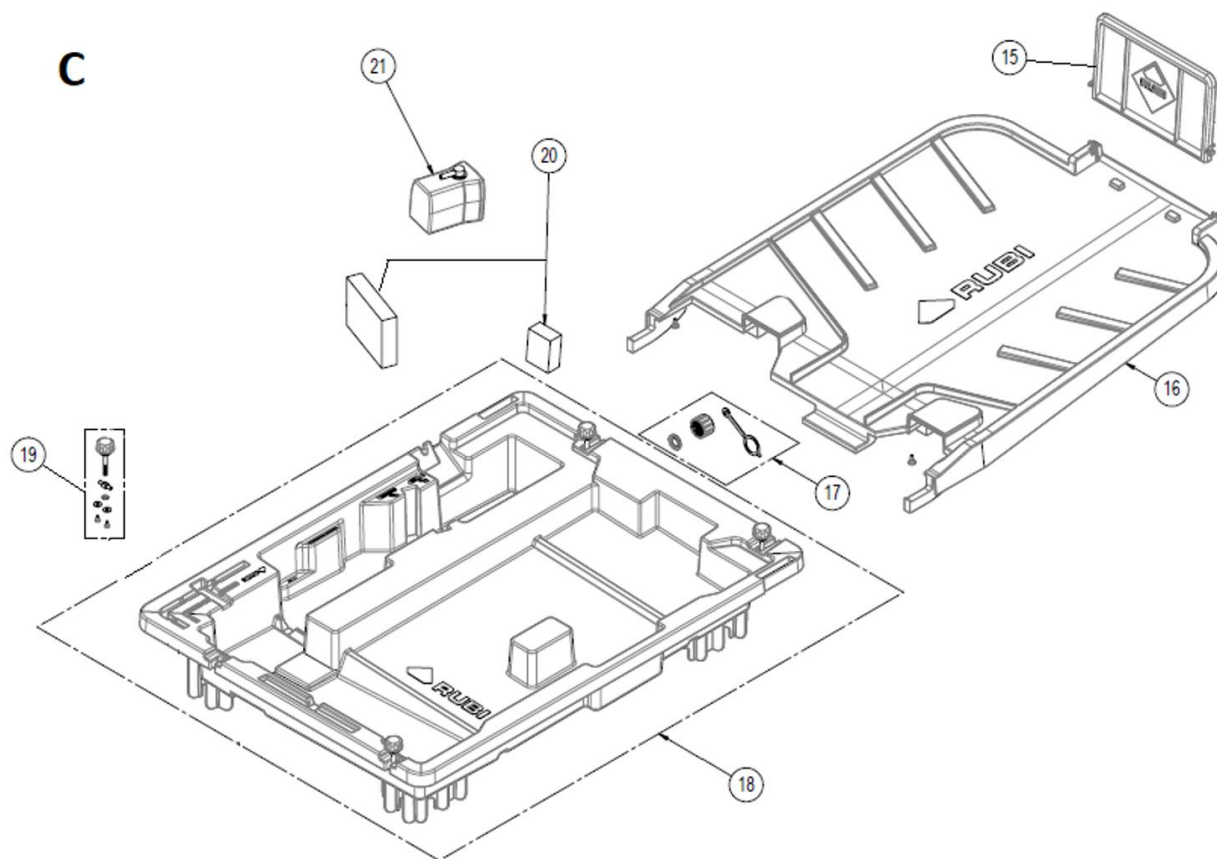


Part-list	ES	EN	Prod.
1	26806 1	REC.BASE CENTRADORES DT 10/250	SP.BASE CENTER PINS DT 10/250
2	26807 1	REC.LIMITE CARRERA DELANTERO DT 10/250	SP.FRONT STROKE LIMITER DT 10/250
3	26808 1	REC.RAIL BASE DER.DT 10/250	SP.BASE RAIL RH DT 10/250
4	26809 1	REC.RAIL BASE IZQ. DT 10/250	SP.BASE RAIL LH DT 10/250
5	26810 1	REC.BLOQUEO MESA DT 10/250	SP.TABLE LOCKING DT 10/250
6	26811 4	REC.RUEDA DT 10/250	SP.ROLLER DT 10/250
7	26812 4	REC.RUEDA EXCENTRICA DT 10/250	SP.ECCENTRIC ROLLER DT 10/250
8	26813 8	REC.RODAMIENTO EXCENTRICO DT 10/250	SP.ECCENTRIC BEARING DT 10/250
9	26814 1	REC.LIMITE CARRERA POSTERIOR DT 10/250	SP.REAR STROKE LIMITER DT 10/250

B

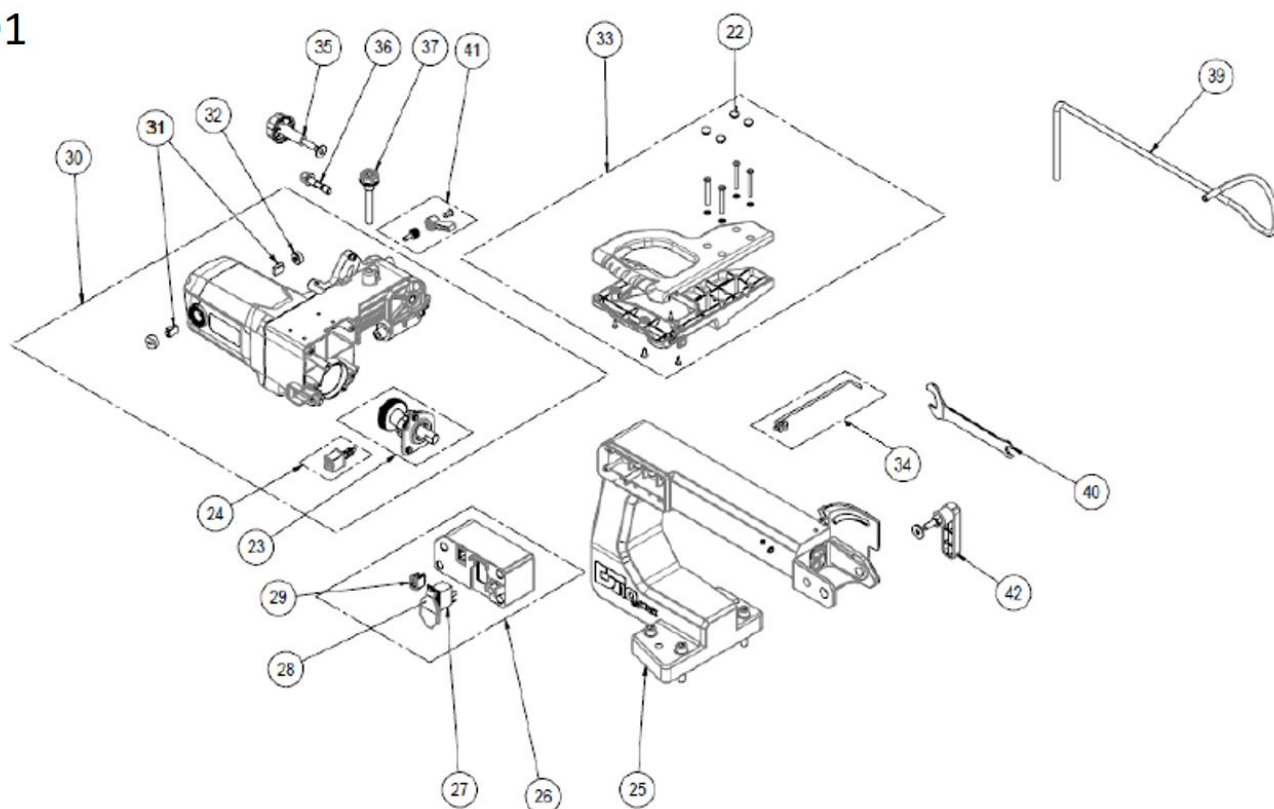


Part-list	ES	EN	Prod.
10	26815 1 REC.BANDEJA AGUA DER.DT-10IN	SP.WATER TRAY RIGHT DT-10IN	
11	26816 1 REC.CORREA BANDEJA DT 10/250	SP.TRAY STRAP DT 10/250	
12	26818 1 REC.EXTENSION MESA LATERAL DT 10IN MAX	SP.SIDE TABLE EXTENSION DT 10IN MAX	26994
12	26817 1 REC.EXTENSION MESA LATERAL DT 250	SP.SIDE TABLE EXTENSION DT 250	58909, 58913, 58915
13	26819 1 REC.GUIA ANGULAR DT	SP.ANGLE GUIDE DT	
14	26821 1 REC.MESA DT 10IN MAX	SP.TABLE DT 10IN MAX	26994
14	26820 1 REC.MESA DT 250	SP.TABLE DT 250	58909, 58913, 58915



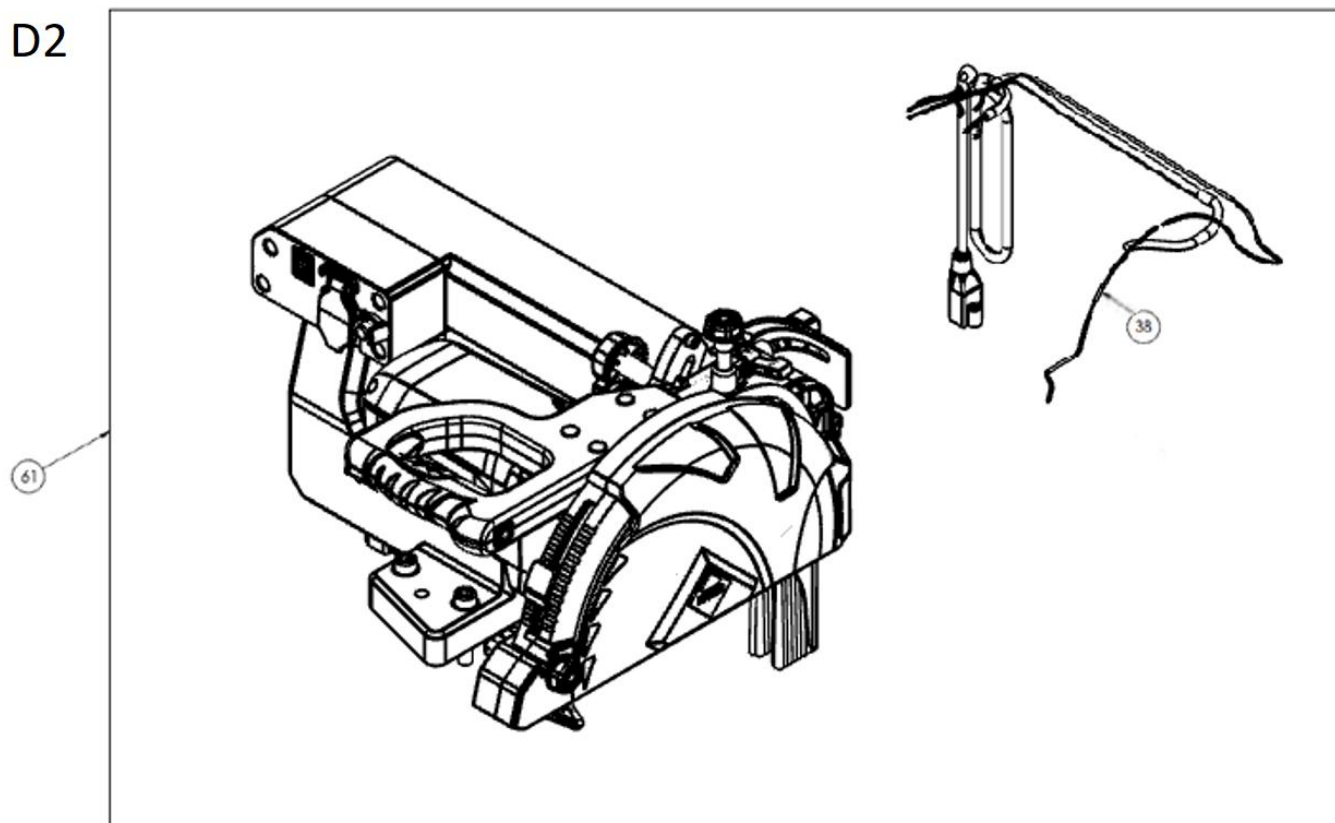
Part-list	ES	EN	Prod.
15	26822 1 REC.DEFLECTOR BANDEJA AGUA DT 10/250	SP.WATER TRAY FLAP DT 10/250	
16	26823 1 REC.BANDEJA POSTERIOR DT 10/250	SP.REAR WATER TRAY DT 10/250	
17	26824 1 REC.TAPON DRENAJE DT	SP.DRAIN CAP DT	
18	26825 1 REC.DEPOSITO AGUA DT 10/250	SP.WATER TANK DT 10/250	
19	26826 4 REC.KIT POMO DEPOSITO DT 10/250	SP.SET KNOB WATER TANK DT 10/250	
20	26827 1 REC.FILTROS DT 10/250	SP.FILTERS DT 10/250	
21	26829 1 REC.BOMBA AGUA DT 10IN MAX	SP.WATER PUMP DT 10IN MAX	26994, 58913
21	26828 1 REC.BOMBA AGUA DT 250	SP.WATER PUMP DT 250	58909, 58915

D1

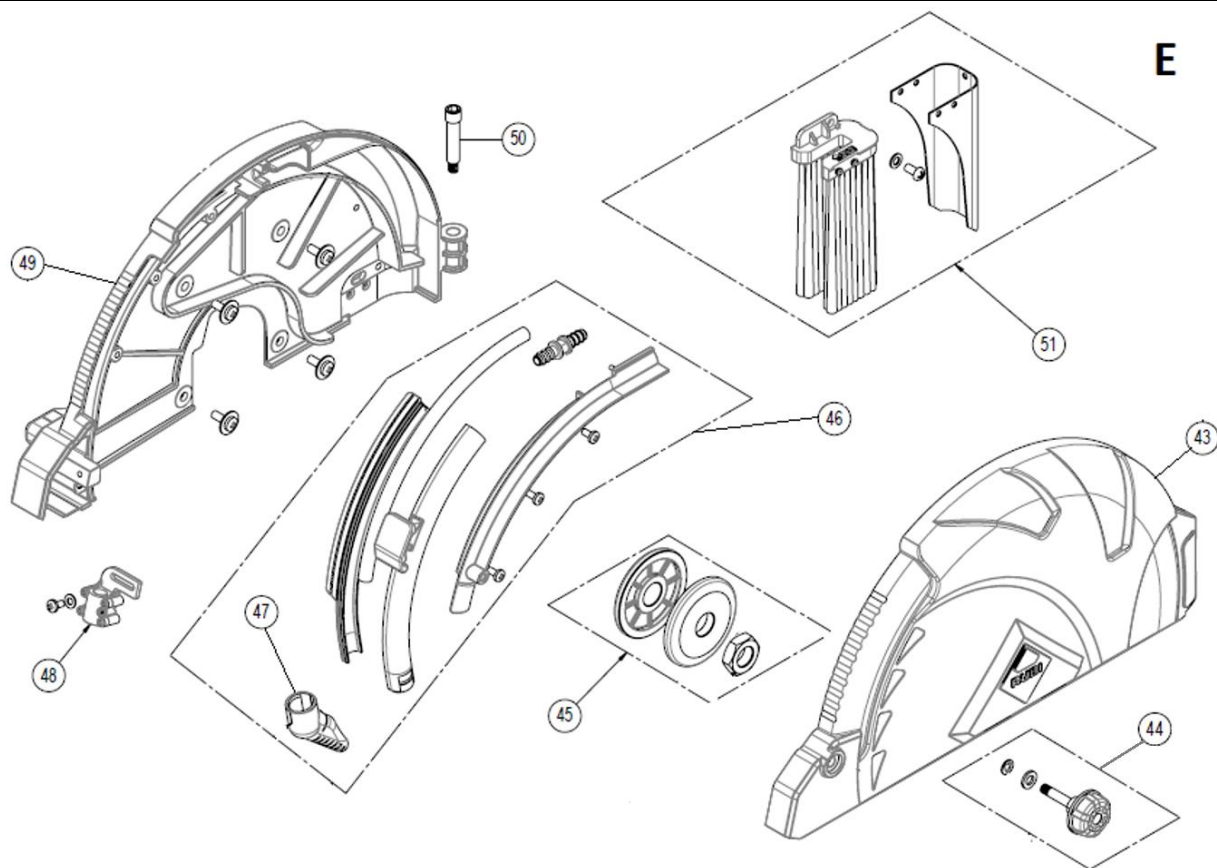


Part-list	ES	EN	Prod.	
22	26830 4	REC.TAPON MANGO DT	SP.HANDLE CAP DT	
23	26831 1	REC.TRANSMISION DT 10/250	SP.TRANSMISSION DT 10/250	
24	26832 1	REC.BLOQUEO EJE MOTOR DT 10/250	SP.MOTOR SHAFT LOCK DT 10/250	
25	26833 1	REC.BRAZO SOPORTE DT 10/250	SP.SUPPORT ARM DT 10/250	
26	26835 1	REC.CAJA INTERRUPTOR DT 10IN MAX	SP.SWITCH BOX DT 10IN MAX	26994, 58913
26	26834 1	REC.CAJA INTERRUPTOR DT 250	SP.SWITCH BOX DT 250	58909, 58915
27	26837 1	REC.INTERRUPTOR DT 10IN MAX	SP.SWITCH DT 10IN MAX	26994, 58913
27	26836 1	REC.INTERRUPTOR DT 250	SP.SWITCH DT 250	58909, 58915
28	26838 1	REC.LLAVE BLOQUEO DT 10/250	SP.SWITCH LOCK KEY DT 10/250	
29	26840 1	REC.INTERRUPTOR BOMBA DT 10IN MAX	SP.PUMP SWITCH DT 10IN MAX	26994, 58913
29	26839 1	REC.INTERRUPTOR BOMBA DT 250	SP.PUMP SWITCH DT 250	58909, 58915
30	26842 1	REC.MOTOR DT 10IN MAX	SP.MOTOR DT 10IN MAX	26994, 58913
30	26841 1	REC.MOTOR DT 250	SP.MOTOR DT 250	58909, 58915
31	26843 1	REC.ESCOBILLAS DT 10/250	SP.BRUSHES SET DT 10/250	
32	26844 1	REC.TAPON ESCOBILLAS DT 10/250	SP.BRUSHES CAP DT 10/250	
33	26845 1	REC.ASA DT 10/250	SP.HANDLE DT 10/250	
34	26846 1	REC.INTERRUPTOR LASER DT 10/250	SP.LASER SWITCH DT 10/250	
35	26847 1	REC.POMO TRONZADORA DT	SP.PLUNGE LOCK KNOB DT	
36	26848 1	REC.BLOQUEO TRONZADORA DT 10/250	SP.PLUNGE LOCK PIN DT 10/250	
37	26849 1	REC.LIMITADOR TRONZADORA DT 10/250	SP.DEPTH LIMITER DT 10/250	
39	26852 1	REC.TUBO AGUA DT 10/250	SP.WATER TUBE DT 10/250	
40	26854 1	REC.LLAVE DISCO DT 10/250	SP.BLADE WRENCH DT 10/250	
41	26855 1	REC.POMO LIMITADOR DT 10/250	SP.DEPTH LIMITER KNOB DT 10/250	
42	26856 1	REC.PALANCA INGLETE DT	SP.MITER LEVER DT	

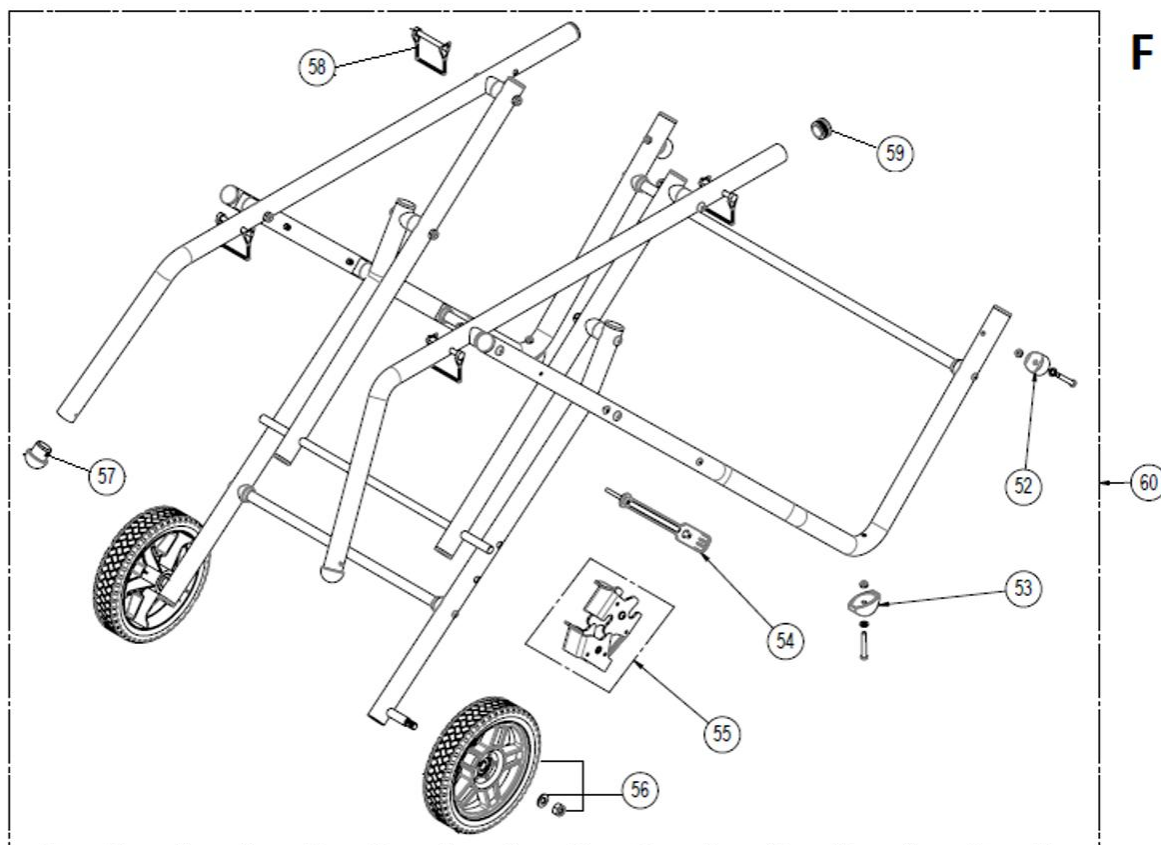
D2



Part-list	ES	EN	Prod.
38	26879 1 REC.CABLEADO DT 250 UK 110V	SP.WIRINGT DT 250 UK 110V	58913
38	26878 1 REC.CABLEADO DT 250 UK 230V	SP.WIRINGT DT 250 UK 230V	58915
38	26851 1 REC.CABLEADO DT 10IN MAX	SP.WIRING DT 10IN MAX	26994
38	26850 1 REC.CABLEADO DT 250 EU	SP.WIRINGT DT 250 EU	58909
61	26883 1 REC.BRAZO MOTOR DT-10IN MAX	SP.MOTOR ARM DT-10IN MAX	26994
61	26882 1 REC.BRAZO MOTOR DT-250 220/240V EU	SP.MOTOR ARM DT-250 220/240V EU	58909
61	26881 1 REC.BRAZO MOTOR DT-250 220/240V UK	SP.MOTOR ARM DT-250 220/240V UK	58915
61	26880 1 REC.BRAZO MOTOR DT-250 110/130V UK	SP.MOTOR ARM DT-250 110/130V UK	58913



Part-list	ES	EN	Prod.
43	26858 1 REC.TAPA DISCO ANTERIOR DT 10/250	SP.FRONT BLADE GUARD DT 10/250	
44	26857 1 REC.POMO TAPA DISCO DT 10/250	SP.BLADE GUARD KNOB DT 10/250	
45	26860 1 REC.PLATOS DISCO DT 10IN MAX	SP.FLANGES DT 10IN MAX	26994
45	26859 1 REC.PLATOS DISCO DT 250	SP.FLANGES DT 250	58909, 58913, 58915
46	26861 1 REC.C3 PYTHON DT 10/250	SP.C3 PYTHON DT 10/250	
47	26862 1 REC.BOQUILLA PYTHON DT 10/250	SP.PYTHON NOZZLE DT 10/250	
48	26863 1 REC.LASER DT 10/250	SP.LASER DT 10/250	
49	26864 1 REC.TAPA DISCO POSTERIOR DT 10/250	SP.REAR BLADE GUARD DT 10/250	
50	26865 1 REC.EJE BISAGRA DT 10/250	SP.HINGE SHAFT DT 10/250	
51	26866 1 REC.PROTECTOR AGUA DT 10/250	SP.SPLASH GUARD DT 10/250	



F

Part-list	ES	EN	Prod.
52	26867 2 REC.TOPE DE GOMA DT 10/250	SP.RUBBER PAD DT 10/250	
53	26869 2 REC.PIE DE GOMA DT 10/250	SP.RUBBER FOOT DT 10/250	
55	26870 1 REC.BLOQUEO SOPORTE DT 10/250	SP.STAND LOCK DT 10/250	
56	26871 2 REC.RUEDA SOPORTE DT 10/250	SP.STAND WHEEL DT 10/250	
57	26872 2 REC.CONTERA ASA SOPORTE DT 10/250	SP.STAND HANDLE CAP DT 10/250	
58	26873 4 REC.PASADOR DEPOSITO DT 10/250	SP.TANK LOCK PIN DT 10/250	
59	26874 14 REC.CONTERA SOPORTE DT 10/250	SP.STAND CAP DT 10/250	
60	26875 1 REC.SOPORTE DT 10/250	SP.STAND DT 10/250	